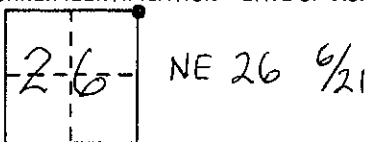


CORNER RECORD

COUNTY OF MADERA T. 6S R. 21E M.D. MERIDIAN CALIFORNIA
 CORNER TYPE: GOV'T. CORNER MEANDER RANCHO CONTROL OTHER
 CORNER IDENTIFICATION - DATE OF VISIT 6-6 19 90



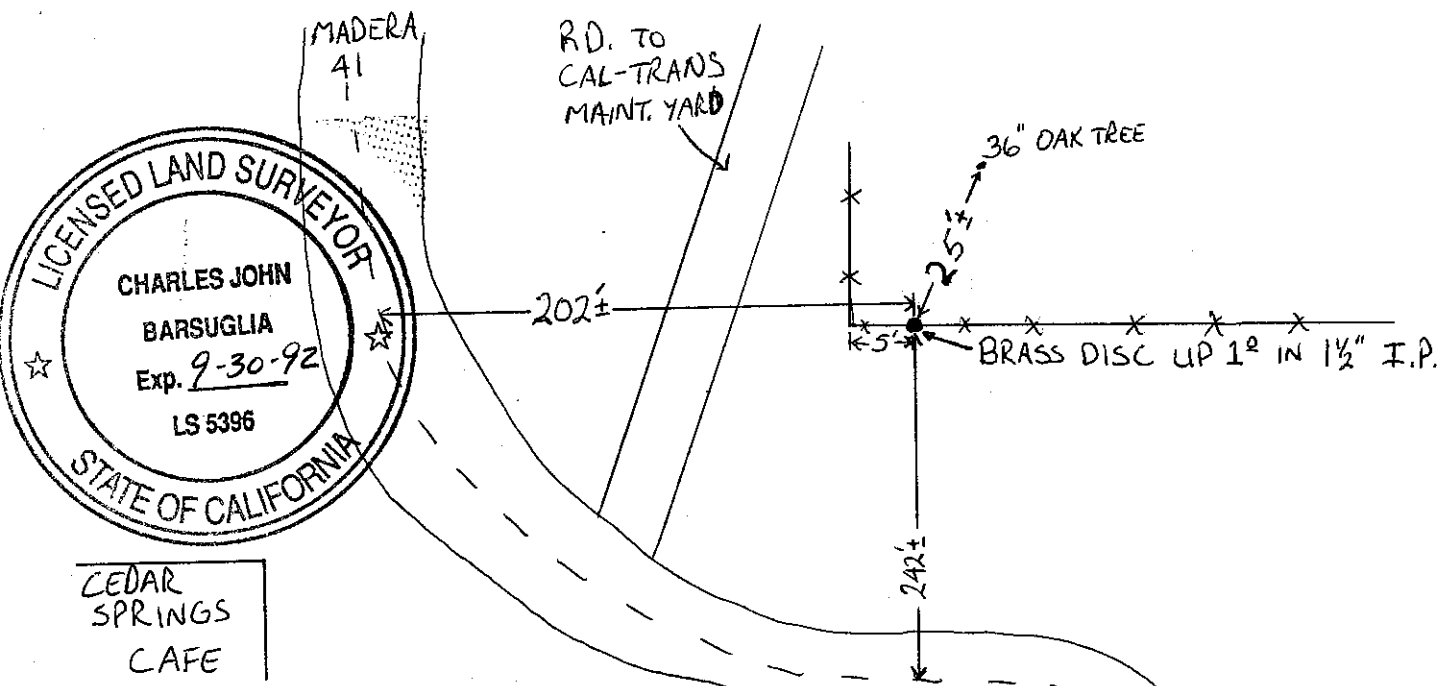
CORNER - LEFT AS FOUND FOUND AND TAGGED REESTABLISHED OBLITERATED CORNER REBUILT

PHYSICAL DESCRIPTION OF CORNER FOUND, EVIDENCE AND METHOD USED TO IDENTIFY OR REESTABLISH
BRASS DISC UP 1" IN 1 1/2" I.P. STAMPED "NE 26 A.W. MILLER RE. 1674 FRESNO, CA."

PHYSICAL DESCRIPTION OF MONUMENTS REBUILT OR PERPETUATED

CALIFORNIA COORDINATE SYSTEM ORDER: FIRST SECOND THIRD
 STATIONS USED: NGS (USC & GS) STATE COUNTY OTHER STATION _____ STATION _____
 ZONE _____ ELEVATION _____ NORTHINGS (Y) _____ EASTINGS (X) _____

SKETCH: (Include reference tie or witness points, remarks and topo of area)



SURVEYOR'S CERTIFICATE

THIS CORNER RECORD WAS PREPARED BY ME OR UNDER MY DIRECTION IN CONFORMANCE WITH THE LAND SURVEYORS ACT ON 7-9 19 90 FOR THE STATE OF CALIFORNIA

SIGNED: Charles John Barsuglia
 L.S. or R.C.E. No.: 5396

SEAL

COUNTY SURVEYOR'S CERTIFICATE

THE CORNER RECORD WAS RECEIVED 7-11 19 90 AND EXAMINED AND FILED 7-17 19 90

BY: Dowe Stinson
 MADERA COUNTY ENGINEER
 209-675-7817

DOCUMENT No. _____

STATEMENT ON BACK OF SHEET

YES NO