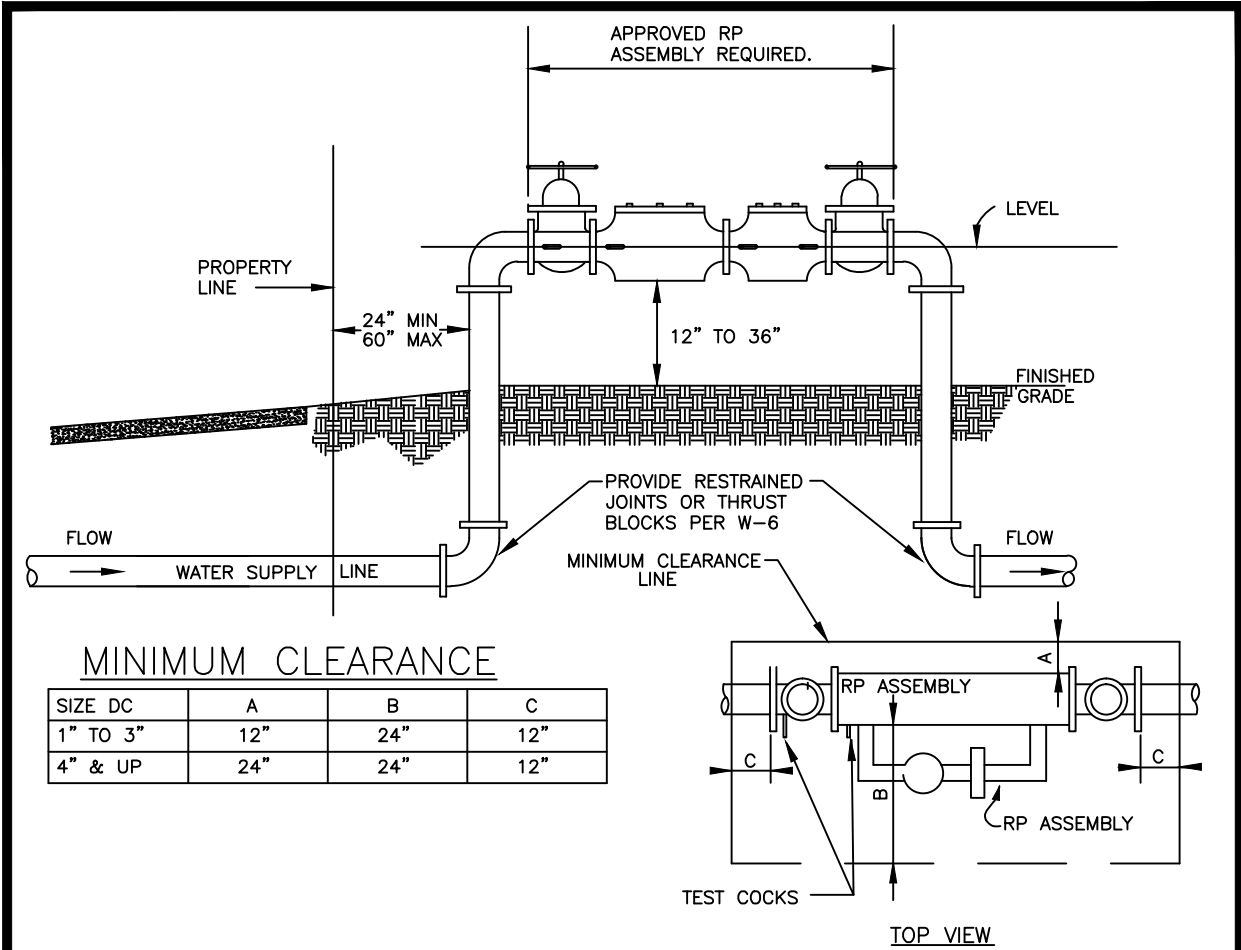
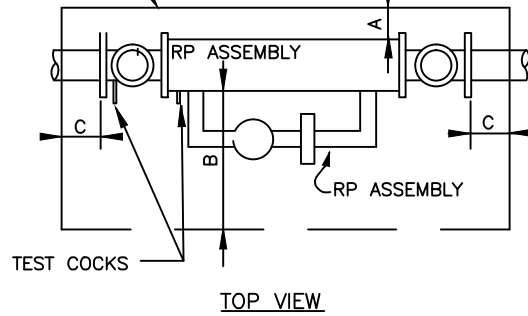


V:\CAD Files\W Dwg\W14-Double Check BPA.dwg 10-17-11 11:12:35 AM eli.mcfarland



MINIMUM CLEARANCE

SIZE DC	A	B	C
1" TO 3"	12"	24"	12"
4" & UP	24"	24"	12"



NOTES:

1. BACKFLOW PREVENTER MUST BE ACCESSIBLE FOR TESTING AND INSTALLED NEAR PROPERTY LINE DOWNSTREAM OF METER.
2. NO TAPS, TEES OR CONNECTIONS OF ANY KIND ARE PERMITTED BETWEEN THE WATER METER AND THE BACKFLOW ASSEMBLY.
3. PROTECTION FROM FREEZE DAMAGE MAY BE REQUIRED IN EXPOSED AREAS.
4. ASSEMBLY MUST BE ACCESSIBLE FOR TESTING AND MAINTENANCE PER MADERA MUNICIPAL CODE.
5. ASSEMBLY TO BE THE SAME SIZE AS THE WATER SUPPLY LINE.
6. PRESSURE LOSS THROUGH ASSEMBLY MUST BE INCLUDED IN PRESSURE LOSS CALCULATIONS FOR SIZING OF THE WATER SYSTEM.
7. MINIMUM CLEARANCES AROUND ASSEMBLY MUST BE MAINTAINED.
8. INSTALL A MINIMUM OF ONE UNION IN THE PIPING SYSTEM WITHIN 12 INCHES OF THE ASSEMBLY - 3/4" THRU 2" SIZES.
9. DRAINAGE TO EXTERIOR OF THE BUILDING IS REQUIRED WHEN ASSEMBLY IS INSTALLED INSIDE.
10. ALL DOUBLE CHECK BACKFLOW PREVENTION ASSEMBLIES MUST BE APPROVED BY CA DEPARTMENT OF PUBLIC HEALTH.

Spec's By _____	COUNTY OF MADERA	Date: 8-21-09
Drawn By <u>J. SHIELDS</u>	REDUCED PRESSURE PRINCIPLE BACKFLOW PREVENTER ASSEMBLY FIRE SPRINKLER SYSTEM WITH FDC AND CLASS III, IV & V	Scale: NONE
APPROVED BY _____		Drawing No. W-14
REVISIONS 4/22/2011		