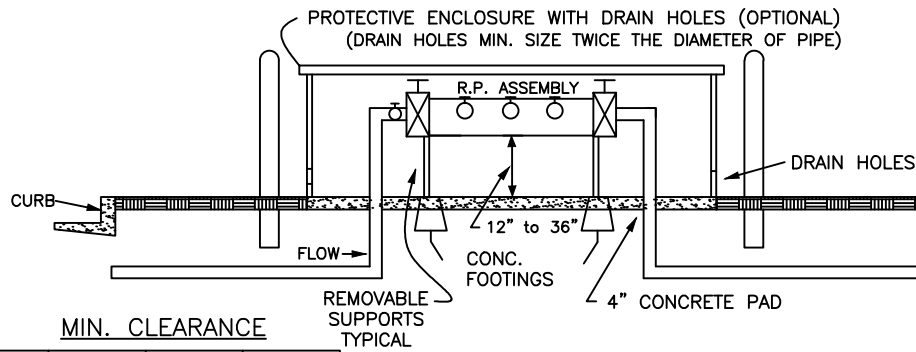


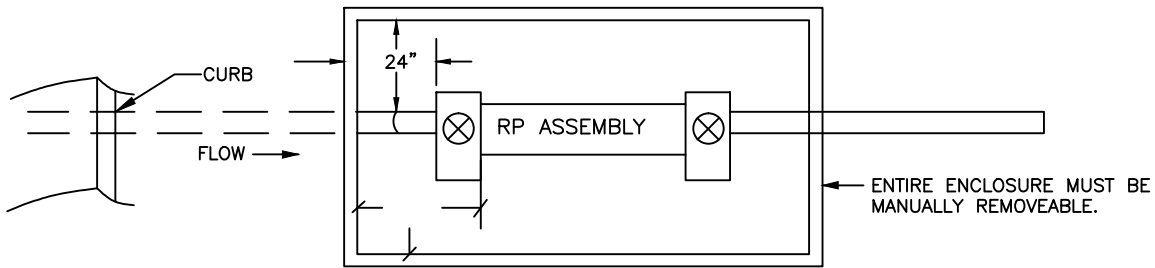
V:\CAD Files\W Dwg\W12-Reduced Pressure Principle.dwg 10-17-11 11:12:24 AM eli.mcfarland



MIN. CLEARANCE			
SIZE RP	A	B	C
1" TO 3"	12"	24"	12"
4" & UP	24"	24"	12"

SIDE VIEW

NOTE:
MUST BE INSTALLED ABOVE GROUND



TOP VIEW

NOTES:

1. ALL PIPES TO BE GALVANIZED STEEL OR DUCTILE IRON. COPPER PIPE MAY BE USED ONLY WITH A BRASS RP VALVE.
2. ONE ADJUSTABLE SUPPORT REQUIRED FOR 2 1/2"-4" RP VALVES. SUPPORT UNDER CENTER FLANGE OF RP VALVE OR INSIDE FLANGE OF GATE VALVE.
3. TWO ADJUSTABLE SUPPORTS REQUIRED FOR RP VALVES 6" OR LARGER. POSITION SUPPORTS BENEATH INSIDE FLANGE OF GATE VALVES PER MANUFACTURE'S SPECIFICATIONS.
4. FREEZE AND VANDALISM PROTECTION MAY BE REQUIRED.
5. ALL RP ASSEMBLIES MUST BE APPROVED BY CA DEPARTMENT OF PUBLIC HEALTH. NO TAPS TEES OR CONNECTIONS PERMITTED BETWEEN WATER METER AND BACKFLOW ASSEMBLY.
6. R.P VALVE MUST BE ACCESSIBLE FOR TESTING AND INSTALLED NEAR PROPERTY LINE AND DOWNSTREAM FROM THE WATER METER.
7. RELIEF VALVE MUST FACE AWAY FROM BUILDING WALLS AND OTHER OBSTRUCTIONS.
8. PROVIDE POSITIVE DRAINAGE TO STREET AND TO EXTERIOR OF BUILDING. WHEN INSTALLED INDOORS.
9. ALL BACKFLOW PREVENTERS MUST BE TESTED BY A CERTIFIED TESTER APPROVED BY THE ENGINEERING DEPARTMENT. RESULTS SHALL BE SUBMITTED TO ENGINEERING FOR FINAL ACCEPTANCE.
10. ASSEMBLY SHALL BE THE SAME SIZE AS THE WATER SUPPLY LINE.
11. PRESSURE LOSS THROUGH THE RP ASSEMBLY MUST BE INCLUDED IN PRESSURE LOSS CALCULATIONS FOR SIZING OF THE WATER SYSTEM.
12. INSTALL A MINIMUM OF ONE UNION IN THE PIPING SYSTEM RISER WITHIN 12 INCHES OF THE ASSEMBLY - 3/4" THRU 2" SIZES.

Spec's By _____	COUNTY OF MADERA REDUCED PRESSURE PRINCIPLE BACKFLOW PREVENTION ASSEMBLY	Date: 8-21-09
Drawn By <u>J. SHIELDS</u>		Scale: NONE
APPROVED BY _____		Drawing No. W-12
REVISIONS	4/22/2011	