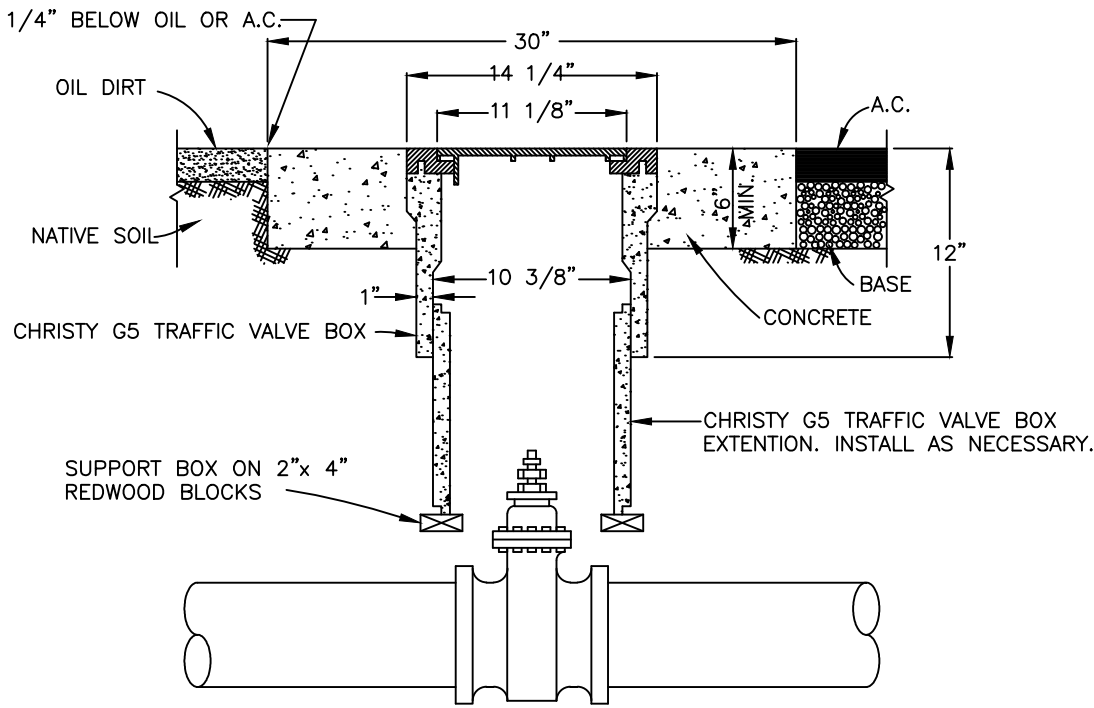


PLAN



ELEVATION

V:\CAD Files\W Dwg\W6-Valve Well.DWG 10-17-11 11:11:25 AM eil.mcfarland

Spec's By _____	<b>COUNTY OF MADERA</b>	Date: 7-1-81
Drawn By <u>J. SHIELDS</u>		Scale: NONE
APPROVED BY _____	<b>VALVE WELL &amp; COVER</b>	Drawing No. W-6
REVISIONS		8/1/02