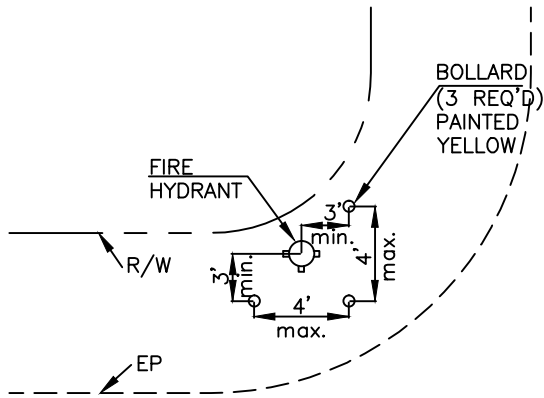
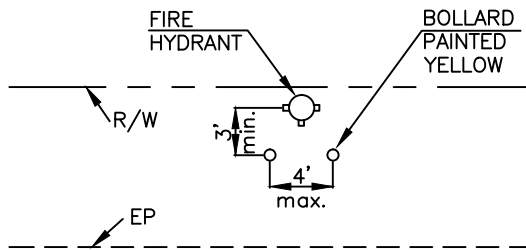


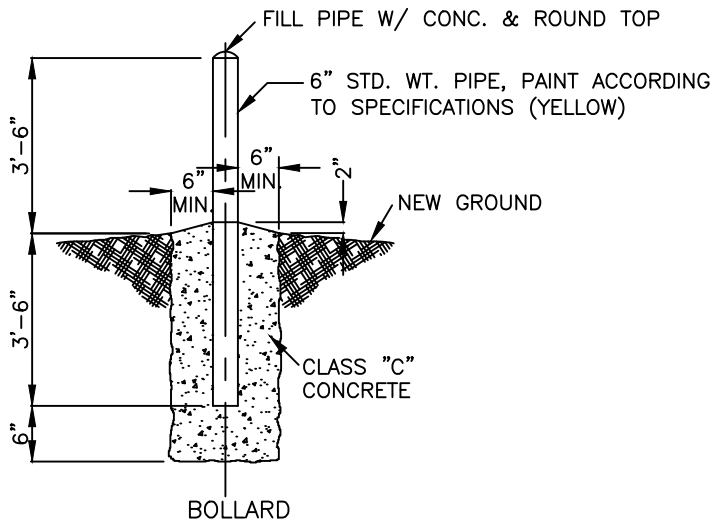
V:\CAD Files\W Dwg\W4C-FH Bollard.DWG 10-17-11 11:11:14 AM eli.mcfarland



TYPICAL BOLLARD LAYOUT FOR FIRE HYDRANTS NEAR STREET INTERSECTIONS



TYPICAL BOLLARD LAYOUT FOR FIRE HYDRANTS >50' FROM STREET INTERSECTIONS



Spec's By _____

Drawn By J. SHIELDS

APPROVED BY _____

COUNTY OF MADERA

TYPICAL FIRE HYDRANT BOLLARD LOCATION

Date: 2/1/99

Scale: NONE

Drawing No. W-4C

REVISIONS	8/1/02	10/1/02			
-----------	--------	---------	--	--	--