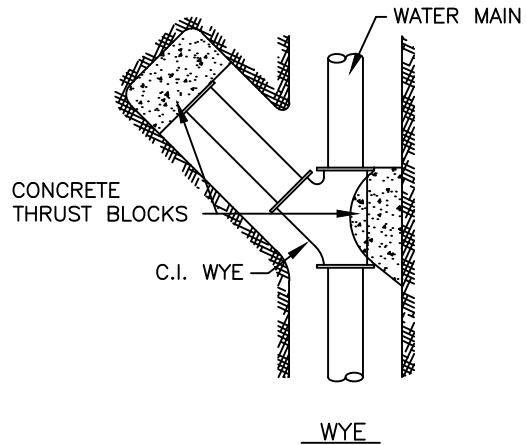
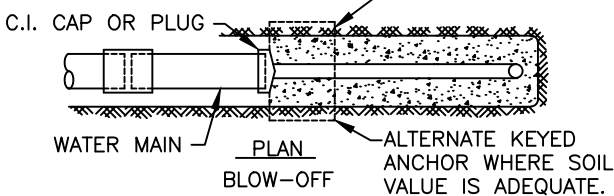
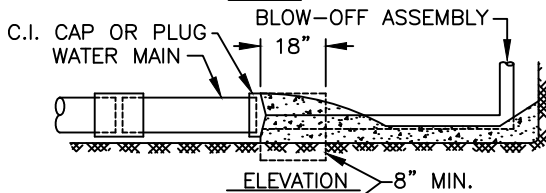
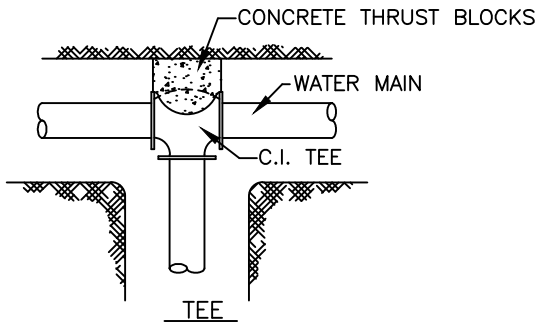


FIRE HYDRANT SERVICE



NOTE:
See Sheet 2 OF 2

V:\CAD Files\W Dwg\W1A-Thrust Blocks(1 of 2).DWG 10-17-11 11:10:25 AM eli.mcfarland

Spec's By _____
Drawn By <u>J. SHIELDS</u>
APPROVED BY _____

COUNTY OF MADERA
CONCRETE THRUST BLOCKS
FOR
CAST IRON FITTINGS

Date: 7-1-81
Scale: NONE
Drawing No. W-1A

REVISIONS	8/1/02	4/29/2011
-----------	--------	-----------