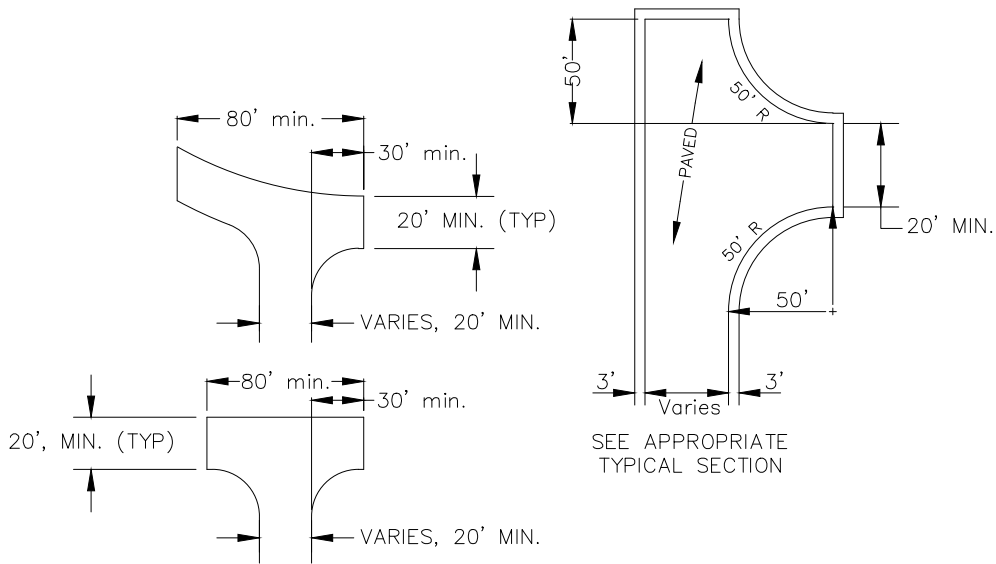


S:\ENG\STANDARD PLANS\County\ST-15B Dead -End Road Turn Arounds.DWG 2-27-12 12:05:40 PM jchandler

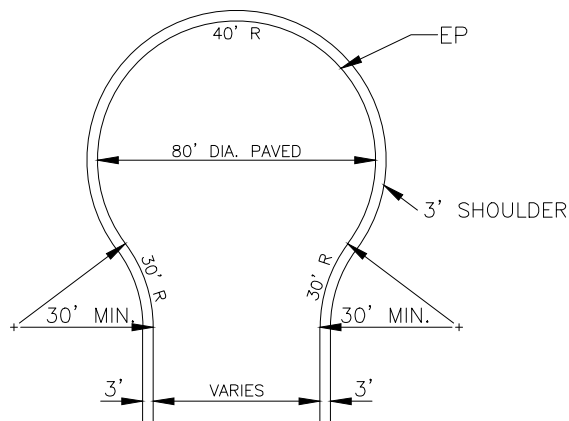
TURN AROUNDS



HAMMERHEAD

NOTE:
THE STRUCTURAL SECTION SHALL BE THE SAME AS THE MAIN ROAD.

CUL-DE-SAC



SEE APPROPRIATE TYPICAL SECTION

DRAWN BY	_____
DATE	1/27/2000
REVISED BY	J.S.C.
DATE	3/2/2011

COUNTY OF MADERA

**DEAD-END ROAD
TURN AROUNDS**

DRAWING NO.

ST-15B