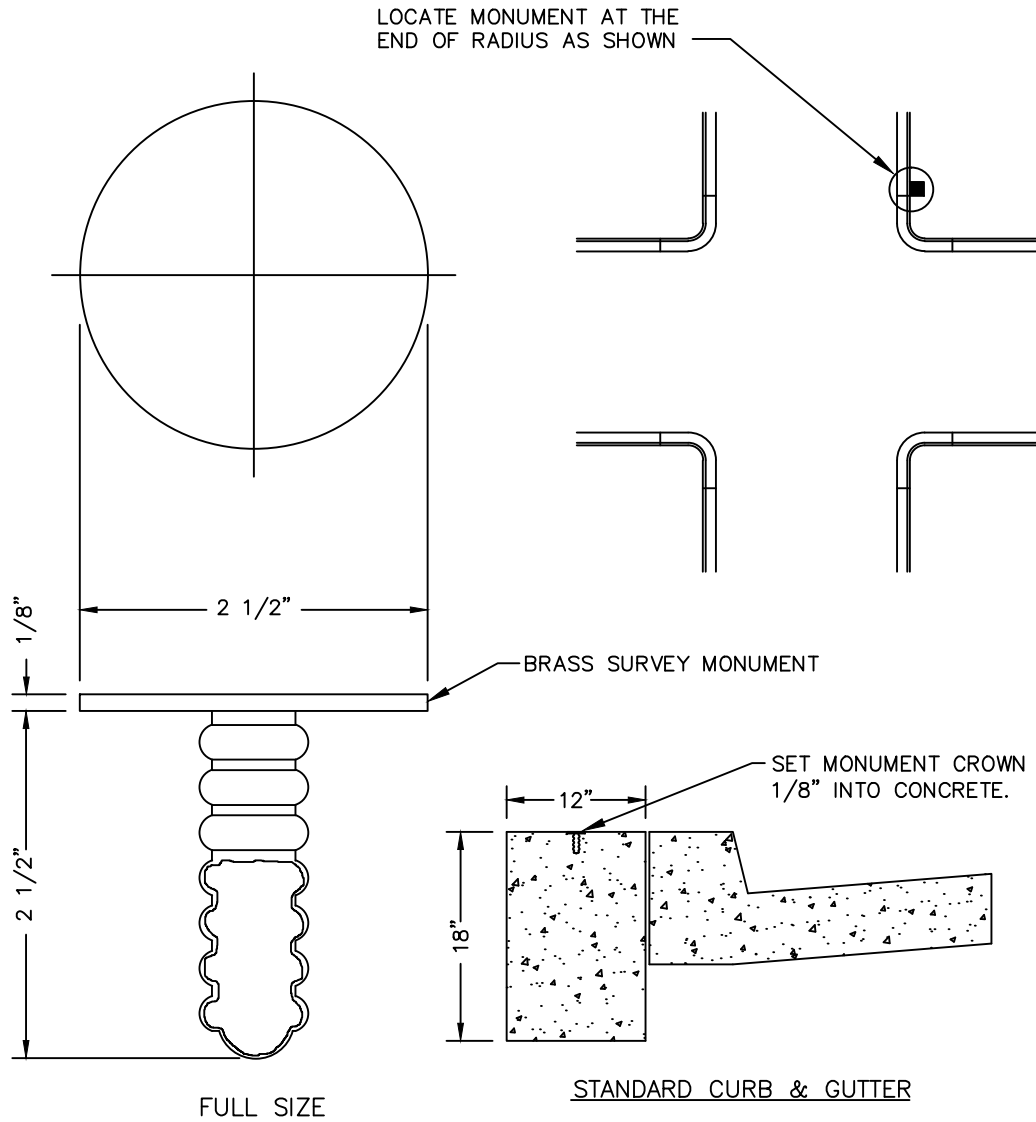


V:\CAD Files\E Dwg\E-3 Elevation Benchmark.DWG 10-17-11 10:59:51 AM eli.mcfarland



NOTES:

1. LOCATE BENCHMARKS AT THE CORNER OF INTERSECTIONS APPROVED BY THE COUNTY ENGINEERING DEPARTMENT.
2. COMPLETE NOTES SHOWING LOCATIONS, ELEVATIONS, AND CLOSURES SHALL BE FILED WITH THE COUNTY ENGINEERING DEPARTMENT.
3. ELEVATIONS SHALL BE BASED ON NAVD 88.

Spec's By _____	COUNTY OF MADERA ELEVATION BENCHMARK DETAILS	Date: 7-1-81
Drawn By <u>J. SHIELDS</u>		Scale: NONE
APPROVED BY _____		Drawing No. E-3
REVISIONS	8/1/02	4/18/2011