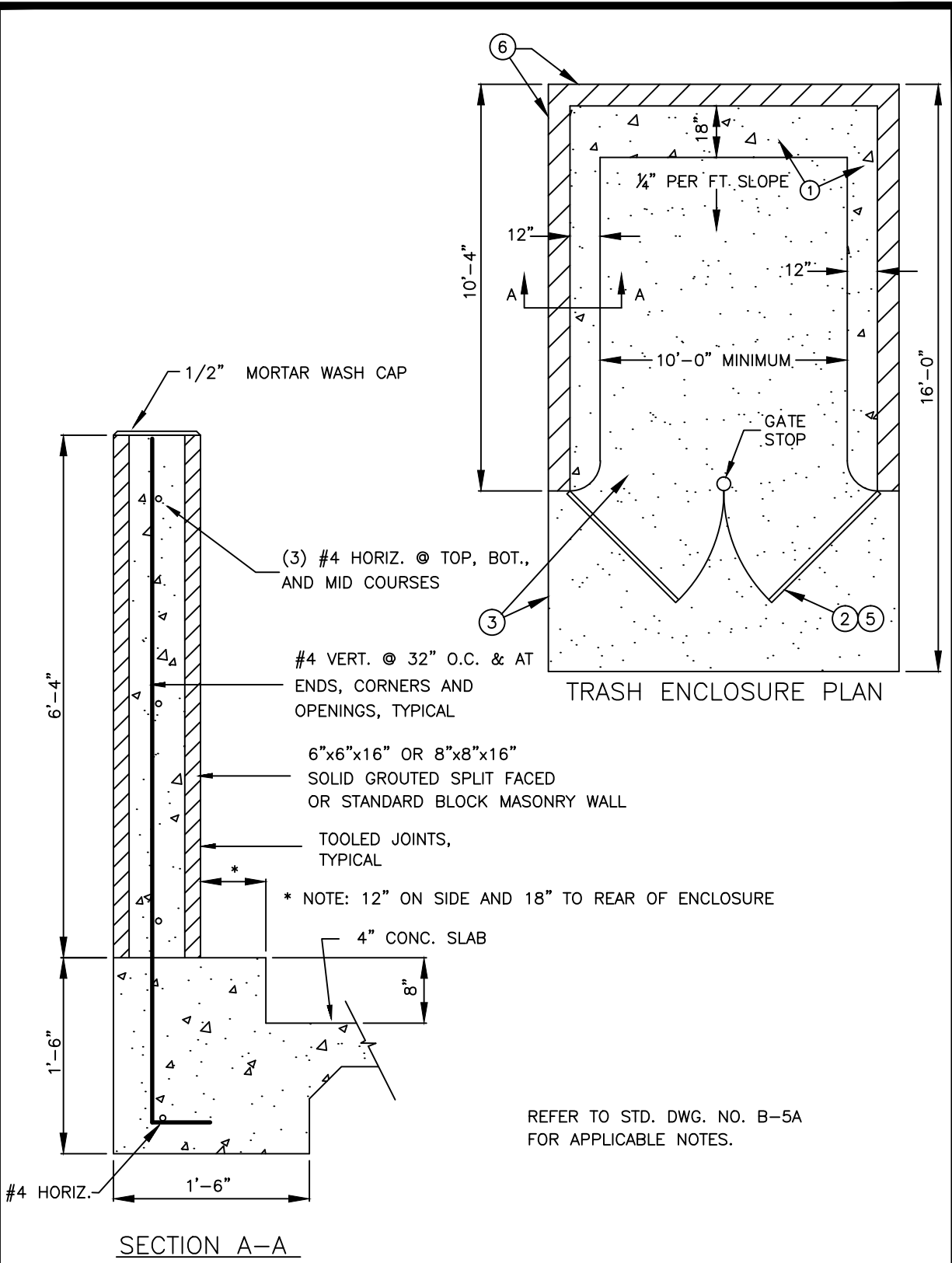


V:\CAD Files\B Dwg\B-5B Trash Enclosure Single.DWG 10-17-11 02:07:46 PM eli.mcfarland



Spec's By _____	<b>COUNTY OF MADERA</b>	Date: 05-16-02	
Drawn By <u>J. SHIELDS</u>		Scale: NONE	
APPROVED BY _____	<b>TRASH ENCLOSURE SINGLE</b>	Drawing No. B-5B	
REVISIONS		8/1/02	8/31/09